



Modular Acquisition Unit (MAU)

The Modular Acquisition Unit provides a custom solution to suit aged or new aircraft configurations with minimal engineering.

It is light weight, compact and purpose built to meet any combination of input types and output parameter requirements.



Acquisition Modules Include:

- Programmable FDAU (ARINC-429 & ARINC-717 inputs, ARINC-429 & ARINC-717 output)
- Analog (Syncro, LLDC, Discretes)
- Pneumatic (Pitot Static)
- GPS Receiver (with integrated RF splitter)
- Quick Access Recorder (QAR)





Specifications

Physical Dimensions:

- Width : 4.5in (115mm)
- Depth: 3.9in (100mm)
- Minimum Height: 1.4in (35mm)
- Weight: 2.2lbs (1kg)

Electrical Requirements:

- Power: 28VDC

Environment

- DO-160
- MIL-STD-810
- Temperature (operating):
-55°C (-67°F) to 70°C (+158°F)

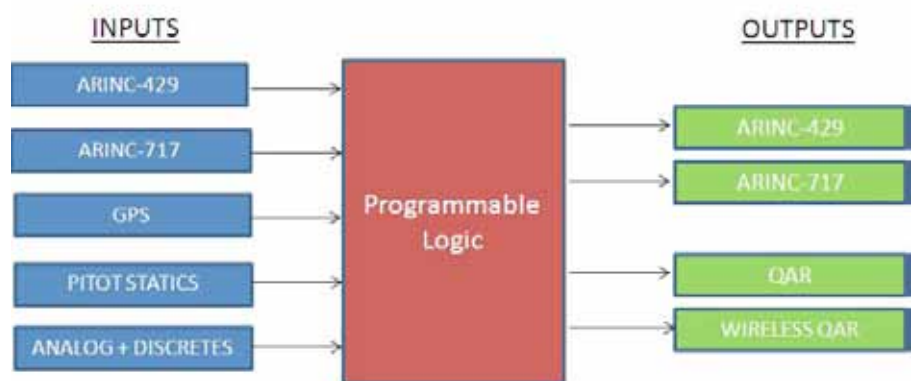
Data Input

- Digital: ARINC 429/717
- Analog: Pitot Statics, Discretes,

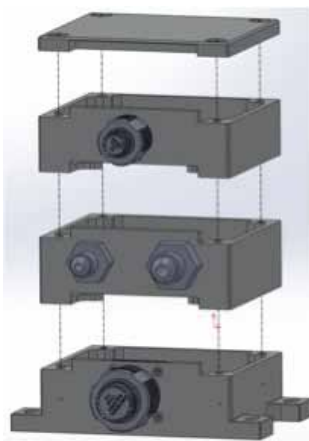
Data Output

- ARINC 429/717
- GPS

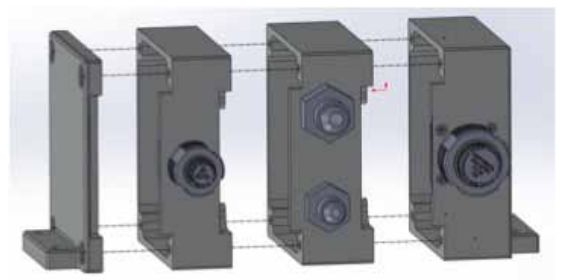
MAU Block Diagram



MAU Configuration



Vertical Orientation



Horizontal Orientation